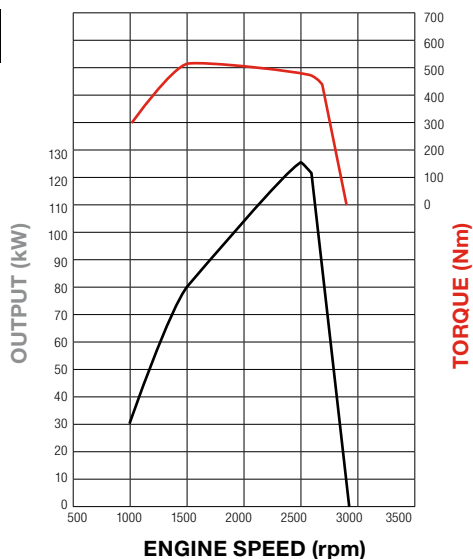




Model code	FA917 FAV1PH2RFBB(D)	FA1017 FAV1PH2RFBB
Configuration	4x2	4x2
GVM	9,000kg	10,400kg
GCM	11,500kg	11,500kg
Axle GVM ratings	Front: 3,600kg Rear: 7,500kg	
Kerb weight (10L fuel)	Front: 2,120kg Rear: 1,305kg Total: 3,425kg	
Engine	FUSO 4D37, 3.9L, 4 Cylinder	

Power/Torque	170hp (125kW) @ 2500rpm / 520Nm @ 1500rpm
Transmission	G85 6spd Manual Syncromesh Ratios: (1st - 6th): 6.696 - 3.806 - 2.289 - 1.480 - 1.000 - 0.728 - Rev: 6.294
PTO (std)	Output Torque: 600Nm @1500rpm Ratio : 1.607:1
Axles	Front: Reverse Elliot (3,600kg) Rear: Full Floating (7,500kg) Ratio : 4.560:1
Suspension	Multi Leaf Front and Rear with Anti Roll Bars
Brakes	Full Air S cam with Auto Brake Adjustment & ABS Park Brake : Rear Wheel Spring Brakes Exhaust Brake
Tyres	235/75R17.5
Wheels	6.75 x 17.5 6 Stud JIS
Fuel	200L + 32L Ad Blue
Electrical	24Volt / 80Amp Alt
Performance	100km/hr speed limited; Max gradability = 38%
3 Seat Cab	All Steel Forward Control Tilting Cab with Door Side Intrusion Bars Arctic White (AW1) ELR 3-Point Seat Belts with Centre Lap Belt Air Conditioner / Heater / Demister 12V Accessory Power Outlet Radio AM/FM + USB + Aux Central Locking / Electric Windows Speedo, Tacho, Air Gauges Dual door mirrors + LH Front and Side Safety Mirrors Speedo, Tacho, Air Gauges Fuel Level, Ad Blue Level, Engine Hours, Fuel Consumption Variable RPM Control Reverse Warning Buzzer

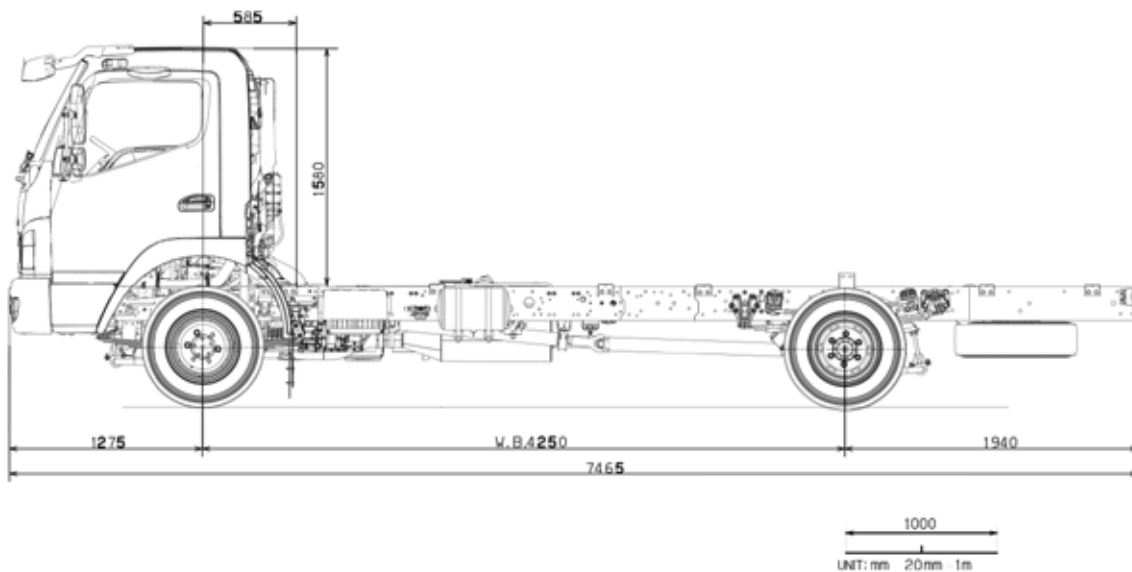
4D37



DIMENSIONS

Wheelbase	4,250
Overall Length	7,465
Width	2,200
Height	2,390
Frame Height At Rear Axle	890
Rear Over Hang (ROH)	1,940
Front Track	1,790
Rear Track	1,690

Note: All dimensions are in mm



Scale = 1:50 (20mm = 1 metre). This scale is accurate when printed at full size (as available from your local FUSO dealer). If printing a downloaded pdf from the Fuso NZ website, please check your printer settings. Please be aware that printing these sheets at anything other than 100% size can alter the scale and cause incorrect measurements. Fuso NZ and its authorised dealers recommend customers seek professional advice from independent sources before commencing any engineering activities.

A policy of continual improvement means that specifications detailed on this sheet are subject to change without notice. Contact your authorised FUSO dealer to confirm current specifications. FUSO is a registered trademark of Mitsubishi Fuso Truck & Bus Corporation. Copyright © Fuso NZ Ltd (2022).