

MEDIUM WHEELBASE

FIGHTER FM1628

EURO 5 • 4x2 • **MANUAL** OR **ALLISON AUTO**



GVM:
16,000kg



Power / Torque:
207kW / 802Nm



Wheelbase:
5,550mm (M)

- 30,000km service intervals
- Isringhausen driver's seat
- 3yr / 200,000km Warranty (T&Cs inside)
- High-power engine
- Low-height chassis
- Rear air suspension

SPECIFICATIONS - FIGHTER FM1628 MWB

MODEL

4x2 FM1628	6 SP.	MAN	STEEL SUSP.	FM65FM2RFAH
4x2 FM1628	9 SP.	MAN	AIR SUSP.	FM67FM2RFAK
4x2 FM1628	6 SP.	AUTO	AIR SUSP.	FM67FM2RFAM

WHEELBASE (mm) GVM (kg) (optional) GCM (kg)

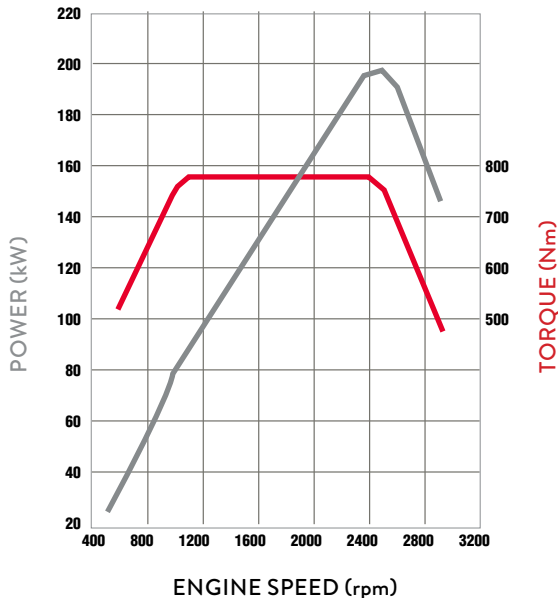
5,550 (M)	16,000 (12,000)	25,000
5,550 (M)	16,000 (12,000)	32,000
5,550 (M)	16,000 (12,000)	25,000

ENGINE

Engine Version	FUSO 6M60-9AT2 Diesel
Configuration	6 Cyl. In-line OHC, 4-Valve
Type	Variable Geometry Turbo Charged Air to Air Intercooler
Displacement	7.5 litre (7545cc)
Power ECE Nett	199kW @ 2500 rpm
Torque ECE Nett	785Nm @ 1100-2400rpm
Power (JIS Gross)*	207kW (281ps) @ 2500rpm
Torque (JIS Gross)*	802Nm(592lbf) @ 1100-2400rpm
Maximum Engine Speed (rpm)	2900
Compression Ratio	16.0:1
Cooling System/Oil Cooler	Water cooled with Viscous fan, 23.0L capacity. Engine oil cooler
Air Cleaner	Paper Element Type with Restrictor Indicator. Vertical Intake Mounted on Clean Air Side (RH)
Cold Start Preheat	Standard
Emission Control	Selective Catalytic Reduction (SCR) After-Treatment System (BlueTec), Positive Crankcase Ventilation (PCV)
Emission Level	Euro 5 (ADR 80/03)

*Calculated

6M60-9AT2



FUEL

Injection System	DENSO Common Rail System Electronically Controlled Direct Injection
Tank Type	Rectangular Alloy Tank with Locking Cap
Fuel Capacity (L)	300
AdBlue Exhaust Fluid Capacity (L)	40

ELECTRICAL

Voltage	24V Negative Earth
Alternator Capacity	24V-80 amp
Battery Specification	Heavy Duty 2x12V, 100Ah/20hr
Headlamp Type	Halogen 2x70W/75W

CLUTCH

	Manual
Clutch Model	FUSO C7M38
Type	Single Plate Cerametallic 380mm
Operation/Specification	Air Assisted Hydraulic

TRANSMISSION

	6 Speed	9 Speed	Auto
Version	FUSO Manual M070S6-D	Eaton Manual ES-11109 (Fuso Code M060S9)	Allison Automatic MD3500 (M100A6)
Type/Speeds	6 with Air Assisted Gearshift	9 Speed	6 Speed
Features	Synchromesh 2nd-6th	Synchromesh 1L-4H	Generation 5 Control Systems
Ratios	1st: 8.064 2nd: 5.443 3rd: 3.064 4th: 1.824 5th: 1.321 6th: 1.000 Rev. 7.354	Low Range 1st: 8.81 2nd: 6.55 3rd: 4.77 4th: 3.55 High Range 1st: 2.48 2nd: 1.85 3rd: 1.34 4th: 1.00 Rev: 13.21	1st: 4.593 2nd: 2.257 3rd: 1.535 4th: 1.000 5th 0.749 6th 0.651 Rev. 4.999
Torque Converter/ Stall Torque Ratio	N/A	N/A	TC415/2.35
Automatic Transmission Fluid Cooling	N/A	N/A	2 Chassis Mounted Coolers (LH and RH Side)
PTO Opening	LH Side	LH Side and Rear	4 o'clock and 8 o'clock

PROPELLER SHAFT

	6 Speed and Auto	9 Speed
Type	P10	P12
Universal Joint	Needle Roller	

FRONT AXLE

Axle	FUSO F650T "I" Beam
Design Capacity (kg)	6,500
Max Operating Capacity (kg)	6,500

FRONT SUSPENSION

Type	Taper Leaf spring with Double Acting Shock Absorbers
Size (mm)	1,400 x 80

SPECIFICATIONS - FIGHTER FM1628 MWB

REAR AXLE

	6 Speed	9 Speed	Auto
Axle	FUSO D8H Full Floating Hypoid	FUSO D10H Full Floating Hypoid	FUSO D10H Full Floating Hypoid
Design Capacity (kg)	10,200	10,800	10,800
Max Operating Capacity (kg)	10,000	10,000	10,000
Ratio	4.444:1	4.222:1	6.666:1 (LP option 6.166)

REAR SUSPENSION

Type	Steel Suspension	Air Suspension
Details	Multi Leaf spring	Trailing Arm with Air Dump Control and Double Acting Shock Absorbers
Size Main Leaves (mm)	1,400x80	Air Spring - 2x250mm dia. per axle
Size Helper Leaves (mm)	960x80	Trailing Arm - 2 leaf

STEERING

Power Assisted	Tilt/Telescopic Adjustable Steering Wheel
----------------	-------------------------------------------

BRAKES

Type	Full Air, Dual Circuit, FUSO Taper Roller, Automatic Brake adjustment, ABS
ASR (Traction Control)	Yes (Not available on auto model)
Size Front / Rear (mm)	410 x 150 / 410 x 200
Park Brake	Rear Wheel Spring Actuated
Auxiliary	Exhaust Brake
Compressor	Water Cooled, 340cc Single Cylinder with Air Dryer

WHEELS AND TYRES

	Manual	Auto
Wheel Type	7, Single Piece Steel Disc	
Wheel Size	22.5x8.25DC-165-13t	
Wheel Stud Pattern	10 stud 335mm PCD	
Tyre Size All	275 / 70R22.5	11R22.5 (LP option 275/70R22.5)
Spare Tyre Carrier	Provided	

CHASSIS

Type	Reinforced Parallel Channel
Size (mm)	280 x 90 x 8.0
Width (mm)	841

Refer to the bodybuilders guidelines on the Fuso website (www.fuso.co.nz) before mounting a body or modifying the chassis

INSTRUMENTS

Gauges	Speedometer with Odometer, Tachometer; Air Pressure (2); Fuel Level; Water Temperature
--------	----------------------------------------------------------------------------------------

INSTRUMENTS (continued)

Colour Information Display	Fuel Consumption; Service Indicators Hour Meter and Tripmeter
----------------------------	---------------------------------------------------------------

STANDARD FEATURES

Airbag	Driver's Air Bag and Seat Belt Pre-tensioner
Hill Start System	Yes (Not available on auto model)
Cab Cooling and Heating	Air Conditioner / Heater / Demister
Accessory Power	24V Accessory Power Outlet/Cigar Lighter
Audio	AM/FM + USB + Bluetooth Hands Free
Driving	Central Locking; Electric Windows Cruise Control; LH Transom Window; AM/FM CD + USB + AUX + Bluetooth Hands Free; Cup Holders (4); Rear Quarter Glass; Fluorescent Cabin Lamp and Interior Reading Lamps; Engine Idle Speed Control
Storage	Centre Seat Storage Console, Rear Bunk Storage Pocket, Dash Storage Tray 2 DIN Glove Compartment, 1 Single and 1 Double DIN Slot for Accessories, Overhead Storage Pocket with Lid, RH Door Storage Pocket
Cab: External	Roof Mounting Points (max. static load 70kg) Front End-Outline Marker Lamps
Chassis	Chassis Mounted Tool Box; Reverse Warning Buzzer

CAB FEATURES

Type	All Steel Forward Control; Manual Tilt 44 deg.
Mounting	Hydroelastic Susp. 4 Point
Colour	Natural White (W31)
Interior	Fully Trimmed
Windscreen	Laminated Tinted
Windscreen Wipers	2 Speed + Intermittent Cycle with Integrated Washer Nozzles
Door	90 degree Opening Angle
Rear Vision Mirrors	Remote Control / Heated with Convex Spotter (Both Sides)
Seating Capacity	3
Seat Belts	Lap Sash Belts for Outside Seating Positions Lap Belt for Centre Seat
Seat (driver)	ISRI Air Susp. + Auto Levelling, Height, Tilt, Lumbar, Bolster and Dampening Adjust, Integral Headrest, Fabric Trim
Seats (passenger)	Centre: Low Back with Fabric Trim and forward folding Far Passenger: Fixed Base with Reclining Seat Back, Integral Headrest and Fabric Trim

OPTIONS

6.2" Touchscreen Media Unit AM/FM/DAB + USB + AUX, Apple CarPlay and Android Auto, Wi-Fi enabled for internet radio, Bluetooth, 32GB storage capacity, HD Reverse Camera included
 Additional cameras for Media Unit (up to 4)
 Truck Specific GPS Navigation
 Reverse Sensors
 Tyre Pressure Monitoring System (up to 36 tyres)
 Wireless Phone Charging Pocket
 Extended Warranty: Additional 2yrs / 100,000km

KERB WEIGHTS AND MAX AXLE LOADS (kg)

Model		Vehicle Ratings**		Max Axle Loadings**		Kerb Weights*		
		GVM	GCM	Front	Rear	Front	Rear	Total
4x2 FM1628 6 Sp. Man Steel Susp.	FM65FM2RFAH	16,000	25,000	6,500	10,000	2,920	1,870	4,790
4x2 FM1628 9 Sp. Man Air Susp.	FM67FM2RFAK	16,000	32,000	6,500	10,000	2,985	1,940	4,925
4x2 FM1628 6 Sp. Auto Air Susp.	FM67FM2RFAM	16,000	25,000	6,500	10,000	3,030	2,000	5,030
4x2 FM1228 6 Sp. Man Steel Susp.	FM65FM2RFAH(D)	12,000	25,000	6,500	10,000	2,920	1,870	4,790
4x2 FM1228 9 Sp. Man Air Susp.	FM67FM2RFAK(D)	12,000	32,000	6,500	10,000	2,985	1,940	4,925
4x2 FM1228 6 Sp. Auto Air Susp.	FM67FM2RFAM(D)	12,000	25,000	6,500	10,000	3,030	2,000	5,030

* Weights (est.) includes 10L fuel and spare wheel and are subject to 2.5% variation (+/-). ** Vehicle ratings and max axle loadings may be limited by local regulations.

SPECIFICATIONS - FIGHTER FM1628 MWB

WARRANTY

3 years / 200,000km

Tipper body covered by 12mth / unlimited km warranty.

Refer to terms and conditions in the FUSO warranty booklet for full details.

PERFORMANCE

	6 Speed	9 Speed	Auto
Turning Circle (kerb to kerb - metres)	18.4	18.4	18.4
Electronically Speed Limited to (km/hr):	100	100	100
Engine Speed (rpm) at 90km/hr (top gear)	2300	2185	2050
Gradeability at Rated GVM (theoretical)*	37%	54%	69%
Gradeability at Rated GCM (theoretical)*	22%	24%	38%

*Theoretical performance only. Actual performance may vary under different conditions

SERVICE INTERVALS

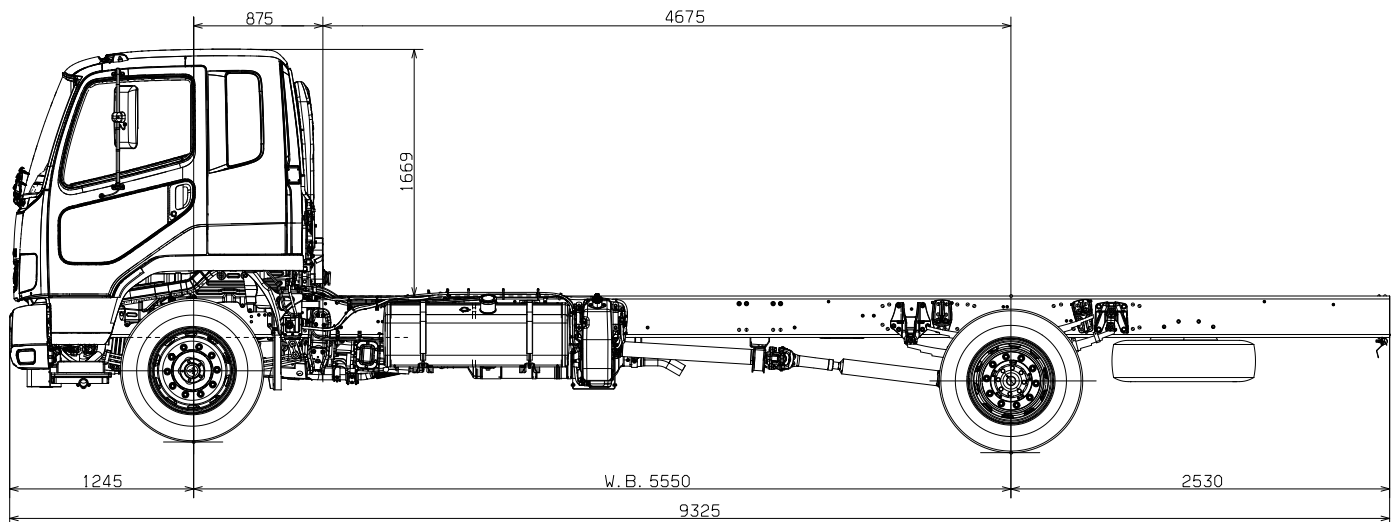
30,000km full service / 15,000km safety inspection

30,000km full service intervals, depending on application/use.

15,000km safety inspection, with greasing, required for reliability and to maintain warranty cover.

DIMENSIONS (mm)

Wheelbase (mm)	5,550
Length Overall (mm)	9,325
Height Overall (mm)	Man = 2630 Auto = 2675
Width Overall (mm)	2,470
Width Rear Axle (mm)	2,470
Width Front Track (mm)	1,925
Width Rear Track (mm)	1,850
Width Frame (mm)	841
Height Frame at Rear Axle (mm)	Spring Suspension = 1,033 A/sus with 275/70R22.5 = 969 inflated A/sus with 11R22.5 = 1,012 inflated



FIGHTER FM1628 – 'M' WHEELBASE

1000
JNT: mm 20mm=1m

Scale = 1:50 (20mm = 1 metre). This scale is accurate when used on the original spec sheet, be aware that enlarging these illustrations can alter the scale and cause incorrect measurements. Fuso New Zealand and its authorised dealers always recommend customers seek professional advice from independent sources before commencing any engineering activities.

A policy of continual improvement means that specifications detailed in this brochure are subject to change without notice. Contact your authorised Fuso dealer to confirm current specifications. Fuso is a registered trademark of Mitsubishi Fuso Truck & Bus Corporation. Copyright © Fuso NZ (2021)