

FV2540K | FV2546K

# SHOGUN

## 400 + 460



## 6x4 ■ SHIFTPILOT



**Power / Torque:**  
400ps/2,011Nm  
460ps/2,213Nm



**Wheelbase:**  
4,300mm (K)



**Suspension:**  
Steel / Air

- Active Brake Assist 5 **NEW**
- Electronic Stability Control
- Lane Departure Warning

- Adaptive Cruise Control
- Driver Fatigue Monitoring
- Active Side Guard Assist **NEW**

# SHOGUN FV MODELS

## MODEL

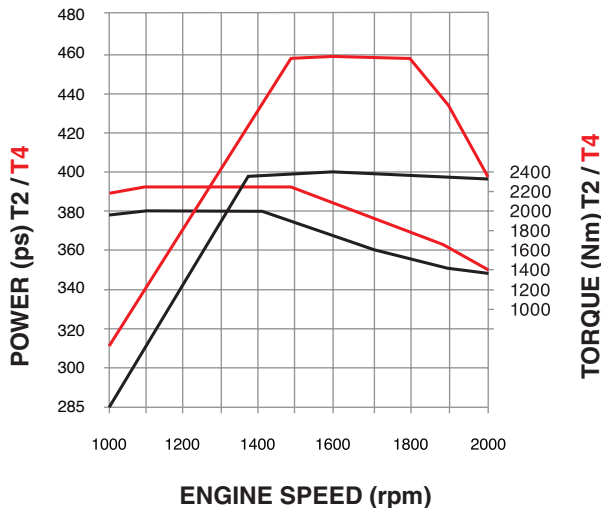
MODEL	WHEELBASE (mm)	GVM (kg)	GCM (kg)
6x4 FV2540K 12 SP. SHIFTPILOT STEEL SUSP. FV70HK2VFBA	4,300 (K)	25,400	53,000
6x4 FV2546K 12 SP. SHIFTPILOT STEEL SUSP. FV70HK4VFBA	4,300 (K)	25,400	55,000

## ENGINE

Engine Version	FUSO OM470 6 Cyl. In-line DOHC	
Displacement	11 Litre (10,671cc)	
	<b>FV2540</b>	<b>FV2546</b>
Power (DIN)*	T2: 400ps (293kW) @ 1600rpm	T4: 460ps (338kW) @ 1600rpm
Torque (DIN)*	T2: 2,011Nm (1484lbft) @ 1100rpm	T4: 2,213Nm (1633lbft) @ 1100rpm
Air Cleaner	Vertical Intake Mounted on Clean Air Side (RH)	
Emission Control	Selective Catalytic Reduction (SCR + DPF)	
Emission Level	EURO 6 (ADR80/03)	
Engine Live Drive PTO	Max Continuous Output 650Nm (780Nm Peak) Ratio 1:1.3043 Rotation Direction: Opposite Engine	

\*Gross Calculated

## OM470 – T2 & T4



## FUEL

Injection System	X Pulse Common Rail High Pressure Direct Injection
Tank	400L Rectangular Alloy Tank + Locking Cap
AdBlue Exhaust Fluid Capacity	60L Tank + Locking Cap

## ELECTRICAL

Voltage	24V Negative Ground, 100A Alternator
Battery Specification	Heavy Duty 2x12V, 150Ah/20hr

## CLUTCH

Type	FUSO Single Plate Fully Automated
------	-----------------------------------

## TRANSMISSION

Version	FUSO SHIFTPILOT GENERATION 3 Automated Manual G230-12
Type / Speeds	12 Speed with Auto + Manual Modes Constant Mesh Non Synchronmesh Transmission Standard + Power Modes: Calibrated for NZ Conditions Skip Shift Function for Light Loads

## TRANSMISSION

CONTINUED

Features	Driver Activated Kick Down Crawler Mode Rock-Free Mode Eco Roll Eco Cruise	
Ratios	1st: 11.672 2nd: 9.101 3rd: 7.055 4th: 5.501 5th: 4.400 6th: 3.430 7th: 2.652	8th: 2.068 9th: 1.603 10th: 1.250 11th: 1.000 12th: 0.779 RHigh: 9.101 RLow: 11.673
PTO Opening	Rear	

## FRONT AXLE

Axle Version	FUSO F900T "I" Beam
Max Operating Capacity (kg)	7,100 (Subject to suitable tyres + certification)

## FRONT SUSPENSION

Type	Long Taper Leaf + Double Acting Shock Absorbers
Size (mm)	1,500 x 90

## REAR AXLE

Axle	D10 Hypoid Tandem Drive + Inter-Axle Diff Lock
Max Operating Capacity (kg)	21,600
	<b>FV2540 + FV2546</b>
Ratio	4.625:1
Option	N/A

## REAR SUSPENSION

	<b>FV2540 + FV2546</b>
Details	Mechanical 6 Rod Long Taper Leaf 6 Rod Trunnion

## BRAKES

Type	Full Air Taper Roller Drum Brakes + Auto Adjust, EBS, ABS, ASR (Traction Control)
Size Front / Rear (mm)	410x160 / 410x200
Park Brake	Rear Wheels Spring Actuated
Engine Brake	Jake Brake: Three-Stage including Shift Down Function – Max 335kW (460ps)
Air Compressor	Two-Stage + ECU Control for Fuel Saving
Air tanks	Alloy

## WHEELS AND TYRES

Wheels	10 x Alcoa Alloy 22.5x8.25" ISO 10 Stud
	<b>FV2540 + FV2546</b>
Tyre Size Front / Rear	295/80R22.5 / 11R22.5
Option	N/A

EURO 6

ENGINE +  
TRANSMISSION



## CHASSIS

Type	Super Frame, Single Skin, Reinforced Parallel Channel
Size / Width (mm)	300x90x7.0/840
Refer to the bodybuilders guidelines on the Fuso website ( <a href="http://www.fuso.co.nz">www.fuso.co.nz</a> ) before mounting a body or modifying the chassis	

## INSTRUMENTS

Gauges	Speedo / Tacho / Air pressure / Fuel level / Ad Blue level
Multi-Information Display accessed from steering wheel buttons	Digital Speedo Advanced Safety Systems Control Water Temperature Fuel Consumption Warning Lamps Service Indicators Hour Meter + Tripmeter Oil Level Check Alarm Clock
Steering wheel controls	Audio / Phone / Cruise Control / Multi-Information Display Menu / Speed Limiter

## STANDARD FEATURES

Cab Cooling and Heating	Climate Control Air Conditioning
Accessory Power	24V Accessory Power Outlet x 2
Driving	SMART Key Push Button Start + Keyless Central Locking Electric Windows Fluorescent Cabin Lamp Interior Reading Lamps Engine Idle Speed Control

## CAB FEATURES

Type	All Steel 4 Point Air Suspended + Electric / Hydraulic Tilt Cab (Low floor on FV2540)
Colour	Natural White (W31)
Seating Capacity	2 + Large Centre Console
Seat (driver)	Air Suspension Integrated Seat Belt Auto Levelling Height, Tilt, Lumbar + Dampening Adjust Armrest
Seats (passenger)	Bucket Seat with Integral Headrest
Interior	Fully Trimmed + Heavy Duty Vinyl on Floor Premium Rear Bunk Mattress + Curtains
External	Roof Mounting Points (max. static load 50kg) Front End-Outline Marker Lamps

## SERVICE INTERVALS

**60,000km full service / 15,000km safety inspection**  
60,000km full service intervals, depending on application/use. 15,000km safety inspection, with greasing, required for reliability and to maintain warranty cover.

## WARRANTY

**5 years / 500,000km**  
Simply have your vehicle serviced at an authorised FUSO Service Centre, at the recommended servicing intervals, and you are covered by an additional 2 year / 250,000km FUSO warranty on top of the first 3 years / 250,000km. That's a total of 5 years / 500,000km cover! Refer to the terms and conditions in the FUSO warranty booklet for full details.

## SAFETY FEATURES

### ACTIVE SAFETY FEATURES

Electronic Brake System (EBS)	Yes
Electronic Stability Control (ESC)	Yes
Active Brake Assist (ABA5)	Yes <b>NEW</b>
Lane Departure Warning System (LDWS)	Yes
Active Attention Assist (Driver Fatigue Monitoring)	Yes
Proximity Control Assist (Adaptive Cruise Control)	Yes
Active Side Guard Assist (ASGA)	Yes <b>NEW</b>

### CAB

Structure	ECE-R29 European Cab Strength Door Side Impact Beams
Airbags	Driver (steering wheel)
Seatbelts	Pre-tensioner, Integrated with seat (driver), Warning Light (driver)
Front Underrun Protector Beam (FUP)	Yes
Steering Wheel	Leather, Tilt / Telescopic Adjustable
Rearview Mirrors	Remote Control, Heated + Separate Convex Spotter (both sides)
Auto-sensing Headlamps	Auto High/Low Beam Activation Xtra Vision LED (low beam) Halogen (high beam) Manual height adjustment
Day Time Running Lights	Yes
Fog Lamps	Yes
Front Step Lights	Yes
Keyless Central Locking	Yes
Auto-sensing Wipers	Yes
Trailer Brake Control Lever	Yes
7" Touchscreen Media Unit	AM/FM/DAB + USB + AUX Apple CarPlay + Android Auto Wi-Fi enabled for Internet Radio Bluetooth, 32GB capacity storage HD Reverse Camera included †

### CHASSIS

Speed Limiter	Yes (100km/h factory setting)
Jake Engine Brake (460ps)	Yes
Anti-Lock Braking System (ABS)	Yes
Brake Override System	Yes
Hill Start System	Yes
Traction Control (ASR)	Yes
Interaxle Diff Lock	Yes
Emergency Stop Signal (ESS)	Yes
Reverse Warning Buzzer	Yes

### OPTIONS

† Additional Touchscreen Display Cameras (up to 4) / Truck Specific GPS Navigation / Reversing Sensors / Tyre Pressure Monitoring (up to 36 tyres)

## KERB WEIGHTS AND MAX AXLE LOADS (kg)

Model		Vehicle Ratings**		Max Axle Loadings**		Kerb Weights*		
		GVM	GCM	Front***	Rear	Front	Rear	Total
6x4 FV2540K 12 Sp. SHIFTPILOT Steel Susp.	FV70HK2VFBA	25,400	53,000	7,100	21,600	4,265	3,395	7,660
6x4 FV2546K 12 Sp. SHIFTPILOT Steel Susp.	FV70HK4VFBA	25,400	55,000	7,100	21,600	4,265	3,395	7,660

\* Weights (est.) includes 10L fuel and are subject to 3.5% variation (+/-)  
\*\*\* Subject to suitable tyres and certification

\*\* Vehicle ratings and max axle loadings may be limited by local regulations.

# SHOGUN FV MODELS

## PERFORMANCE

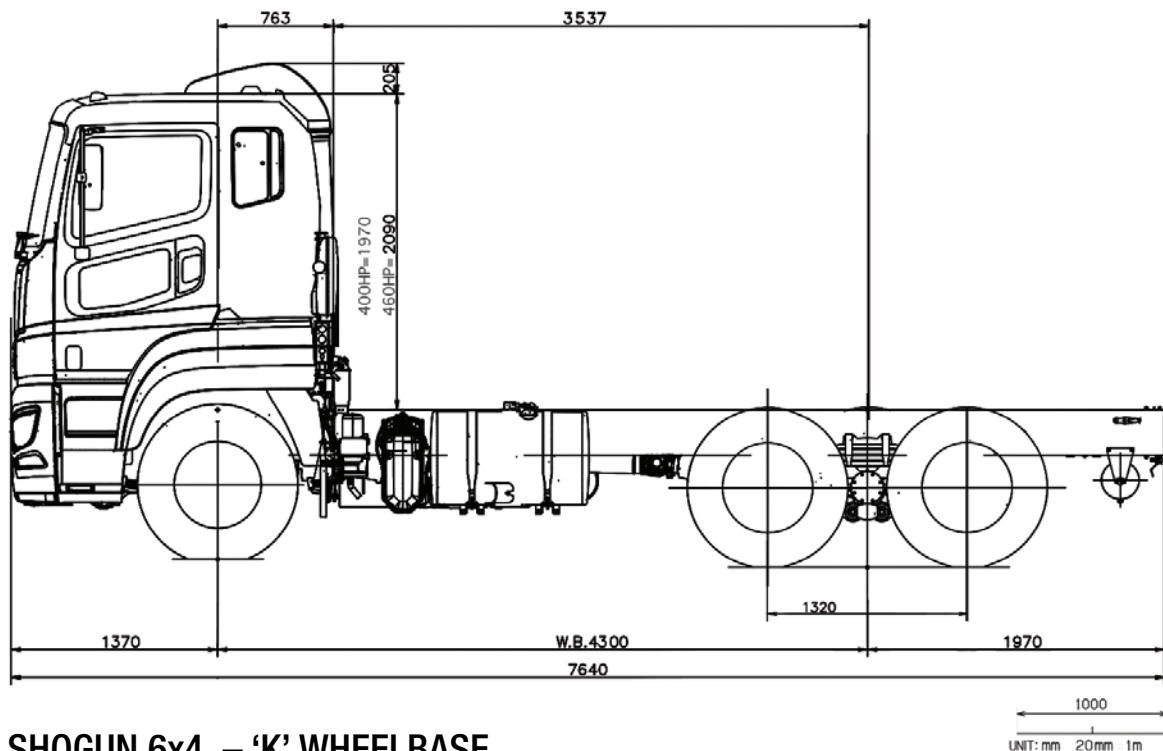
Turning Circle (kerb to kerb - metres)		14.6
Electronically Speed limited to 100km/hr	Can be adjusted lower by dealer	
Engine Speed (rpm) 90km/hr (top gear)		1,700
Gradeability at Rated GCM (theoretical)*	FV2540K:	25%
	FV2546K:	29%

\*This is theoretical performance only. Actual performance may vary under different conditions

## DIMENSIONS (mm)

Wheelbase		4,300
Length Overall		7,640
Height Overall	FV2540K:	3,180*
	FV2546K:	3,300
Width Overall		2,490
Width Rear Axle		2,475
Width Front track		2,075
Width Rear Track		1,865
Width Frame		840
Height Frame at Rear Axle	Steel Susp.	1,060
	Air Susp. (275/70R22.5)	990

\*FV2540 cab mounted 120mm lower



## SHOGUN 6x4 – ‘K’ WHEELBASE

FV2540K | FV2546K

Scale = 1:50 (20mm = 1 metre). This scale is accurate when used on the original spec sheet, be aware that enlarging these illustrations can alter the scale and cause incorrect measurements. Fuso New Zealand and its authorised dealers always recommend customers seek professional advice from independent sources before commencing any engineering activities.

A policy of continual improvement means that specifications detailed in this brochure are subject to change without notice. Contact your authorised Fuso dealer to confirm current specifications. Fuso is a registered trademark of Mitsubishi Fuso Truck & Bus Corporation. Copyright © Fuso NZ (2022)