

FV2651J HI TOP TRACTOR

SHOGLIN

510



6x4 ■ SHIFTPILOT



Power / Torque:
510ps/2,500Nm (1,844lb/ft)



Wheelbase:
3,910mm (J)



Suspension:
Air

- Most powerful Japanese truck
- Active Side Guard Assist **NEW**
- Active Brake Assist (ABA5) **NEW**

- Ultra light tare weight: 7,700kg
- 63T GCM
- 5yr/500,000km Warranty *(T&Cs inside)*

MODEL

6x4 FV2651J HI TOP 12 SP. SHIFTPILOT AIR SUSP. FV74VJR9VFBB

WHEELBASE (mm)

3,910 (J)

GVM (kg)

26,000

GCM (kg)

63,000

EURO 6

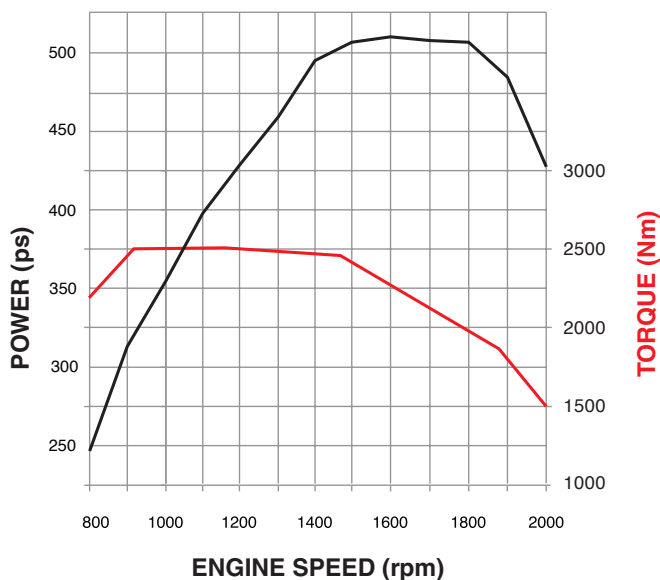
ENGINE + TRANSMISSION

ENGINE

NEW

Engine Version	FUSO OM471 6 Cyl. In-line DOHC
Displacement	13 Litre (12,809cc)
Power (DIN)	510ps (375kW) @ 1600rpm
Torque (DIN)	2,500Nm (1844lbft) @ 1100rpm
Air Cleaner	Vertical Intake Mounted on Clean Air Side (RH)
Emission Control	Selective Catalytic Reduction (SCR + DPF)
Emission Level	EURO 6 (ADR80/03)

OM471 - PERFORMANCE GRAPH



FUEL

Injection System	X Pulse Common Rail High Pressure Direct Injection
Tank	400L Rectangular Alloy Tank + Locking Cap
AdBlue Exhaust Fluid Capacity	60L Tank + Locking Cap

ELECTRICAL

Voltage	24V Negative Ground, 100A Alternator
Battery Specification	Heavy Duty 2x12V, 150Ah/20hr

CLUTCH

Type	FUSO Twin Plate Fully Automated
------	---------------------------------

TRANSMISSION

Version	FUSO SHIFTPILOT GENERATION 3 Automated Manual G330-12
Type / Speeds	12 Speed with Auto + Manual Modes Constant Mesh Non Synchronesh Transmission

TRANSMISSION

CONTINUED

Features	Eco, Auto + Heavy Modes: Calibrated for NZ Conditions Driver Activated Kick Down Skip Shift Function for Light Loads Crawler Mode Rock-Free Mode Eco Roll Eco Cruise
Ratios	1st: 11.639 8th: 2.050 2nd: 9.020 9th: 1.599 3rd: 7.035 10th: 1.239 4th: 5.452 11th: 1.000 5th: 4.400 12th: 0.775 6th: 3.410 RHigh: 9.020 7th: 2.645 RLow: 11.639

PTO Opening	Rear
-------------	------

FRONT AXLE

Axle Version	FUSO F900T "I" Beam
Design Capacity (kg)	7,500
Max Operating Capacity (kg)	7,100 (Subject to suitable tyres + certification)

FRONT SUSPENSION

Type	Long Taper Leaf + Double Acting Shock Absorbers
Size (mm)	1,500 x 90

REAR AXLE

Axle	D12 Hypoid Tandem Drive + Inter-Axle Diff Lock
Max Operating Capacity (kg)	21,600
Ratio	4.222:1

REAR SUSPENSION

Details	Air with CLCS control, Trailing Arm with 2 Bag / Axle with Shock Absorbers CLCS: Chassis Level Control System Electronic Height Control / Dump (adjustable from steering wheel or remote control) 2 memory positions
---------	---

BRAKES

Type	Full Air Taper Roller Drum Brakes + Auto Adjust, EBS, ABS, ASR (Traction Control)
Size Front / Rear (mm)	410x160/410x200
Park Brake	Rear Wheels Spring Actuated
Engine Brake	Jake Brake: Three-Stage including Shift Down Function – Max 375kW (510ps)
Air Compressor	Two-Stage + ECU Control for Fuel Saving
Air tanks	Alloy

WHEELS AND TYRES

Wheels	10 x Alcoa Alloy 22.5x8.25" ISO 10 Stud
Tyre Size Front / Rear	275 / 70R22.5



CHASSIS

Type	Super Frame, Single Skin, Reinforced Parallel Channel
Size / Width (mm)	300x90x7.0/840
Refer to bodybuilder guidelines on FUSO website (fuso.co.nz) before mounting a body or modifying the chassis	

INSTRUMENTS

Gauges	Speedo / Tacho / Air pressure / Fuel level / Ad Blue level
Multi-Information Display accessed from steering wheel buttons	Advanced Safety Systems Control, Digital Speedo, Water Temperature, Fuel Consumption Warning Lamps, Service Indicators, Alarm Clock, Hour Meter + Tripmeter, Oil Level Check
Steering wheel controls	Audio / Phone / Cruise Control / Multi-Information Display Menu / Speed Limiter / Air suspension height

STANDARD FEATURES

Cab Cooling and Heating	Climate Control Air Conditioning
Accessory Power	24V Accessory Power Outlet x 2
Driving	SMART Key Push Button Start + Keyless Central Locking Electric Windows Fluorescent Cabin Lamp Interior Reading Lamps Engine Idle Speed Control

CAB FEATURES

Type	Hi Top All Steel 4 Point Air Suspended + Electric / Hydraulic Tilt Cab. 350mm More Headroom with Large Overhead Glovebox
Colour	Natural White (W31)
Seating Capacity	2 + Large Centre Console
Seat (driver)	Air Suspension Integrated Seat Belt Auto Levelling Height, Tilt, Lumbar + Dampening Adjust Armrest
Seats (passenger)	Bucket Seat with Integral Headrest
Interior	Fully Trimmed + Carpet on Floor Premium Rear Bunk Mattress + Reading Light Carpet on Floor + Curtains
External	Roof Mounting Points (max. static load 50kg) Front End-Outline Marker Lamps

SERVICE INTERVALS

60,000km full service / 15,000km safety inspection
60,000km full service intervals, depending on application/use. 15,000km safety inspection, with greasing, required for reliability and to maintain warranty cover.

WARRANTY

5 years / 500,000km
Simply have your vehicle serviced at an authorised FUSO Service Centre, at the recommended servicing intervals, and you are covered by an additional 2 year / 250,000km FUSO warranty on top of the first 3 years / 250,000km. That's a total of 5 years / 500,000km cover! Refer to the terms and conditions in the FUSO warranty booklet for full details.

SAFETY FEATURES

ACTIVE SAFETY FEATURES

Electronic Brake System (EBS)	Yes
Electronic Stability Control (ESC)	Yes
Active Brake Assist (ABA5)	Yes NEW
Lane Departure Warning System (LDWS)	Yes
Active Attention Assist (Driver Fatigue Monitoring)	Yes
Proximity Control Assist (Adaptive Cruise Control)	Yes
Active Side Guard Assist (ASGA)	Yes NEW

CAB: HI TOP

Structure	ECE-R29 European Cab Strength Door Side Impact Beams
Airbags	Driver (steering wheel)
Seatbelts	Drivers integrated with Seat & Belt Pre-tensioner, Driver & Passenger seat belt warning light
Front Underrun Protector Beam (FUP)	Yes
LH Transom Window + Rear Quarter Glass	Yes
Steering Wheel	Leather, Tilt / Telescopic Adjustable
Rearview Mirrors	Remote Control, Heated + Separate Convex Spotter (both sides)
Auto-Sensing Headlamps	Auto High/Low Beam Activation Xtra Vision LED (low beam) Halogen (high beam) Manual Height Adjustment
Day Time Running Lights	Yes
Fog Lamps	Yes
Front Step Lights	Yes
Keyless Central Locking	Yes
Wipers	Auto-sensing
Trailer Brake Control Lever	Yes
7" Touchscreen Media Unit	AM/FM/DAB + USB + AUX Apple CarPlay + Android Auto Wi-Fi enabled for Internet Radio Bluetooth, 32GB capacity storage HD Reverse Camera included †

CHASSIS

Speed Limiter	Yes (100km/h factory setting)
Jake Engine Brake (510ps)	Yes
Anti-Lock Braking System (ABS)	Yes
Brake Override System	Yes
Hill Start System	Yes
Traction Control (ASR)	Yes
Interaxle Diff Lock	Yes
Emergency Stop Signal (ESS)	Yes
Reverse Warning Buzzer	Yes

OPTIONS

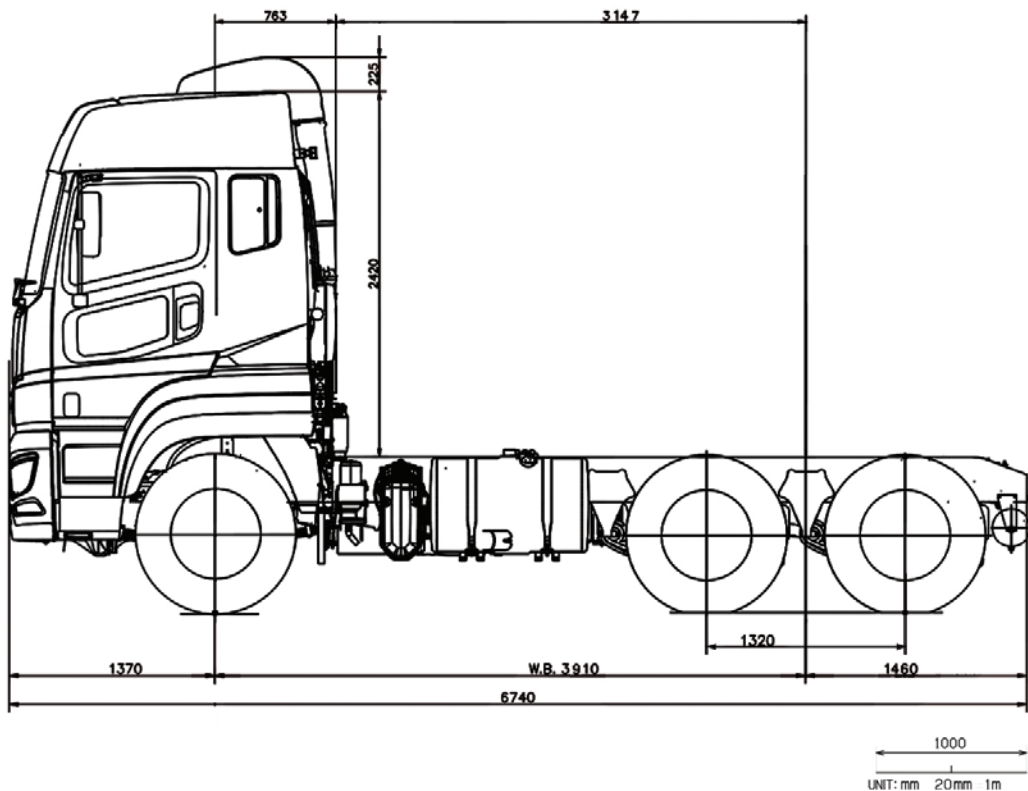
† Additional Touchscreen Display Cameras (up to 4)
Truck Specific GPS Navigation
Reversing Sensors
Tyre Pressure Monitoring System (up to 36 tyres)

KERB WEIGHTS AND MAX AXLE LOADS (kg)

Model		Vehicle Ratings**		Max Axle Loadings**		Kerb Weights*		
		GVM	GCM	Front***	Rear	Front	Rear	Total
6x4 FV2651J Hi Top 12 Sp. SHIFTPILOT Air Susp.	FV74VJR9VFBB	26,000	63,000	7,100	21,600	4,460	3,240	7,700
* Weights (est.) includes 10L fuel and are subject to 3.5% variation (+/-)		** Vehicle ratings and max axle loadings may be limited by local regulations.						
*** Subject to suitable tyres and certification								

PERFORMANCE		DIMENSIONS (mm)	
Turning Circle (kerb to kerb - metres)	13.2	Wheelbase	3,910
Electronically Speed limited to 100km/hr	Can be adjusted lower by dealer	Length Overall	6,740
Engine Speed (rpm) 90km/hr (top gear)	1,670	Height Overall	3,650
Gradeability at Rated GCM (theoretical)*	28%	Width Overall	2,490
		Width Rear Axle	2,485
		Width Front track	2,075
		Width Rear Track	1,865
		Width Frame	840
		Height Frame at Rear Axle	990 (Air susp. inflated)

*This is theoretical performance only. Actual performance may vary under different conditions



SHOGUN FV2651 6x4 HI TOP TRACTOR – 'J' WHEELBASE

Scale = 1:50 (20mm = 1 metre). This scale is accurate when used on the original spec sheet, be aware that enlarging these illustrations can alter the scale and cause incorrect measurements. Fuso New Zealand and its authorised dealers always recommend customers seek professional advice from independent sources before commencing any engineering activities.

A policy of continual improvement means that specifications detailed in this brochure are subject to change without notice. Contact your authorised Fuso dealer to confirm current specifications. Fuso is a registered trademark of Mitsubishi Fuso Truck & Bus Corporation. Copyright © Fuso NZ (2022)